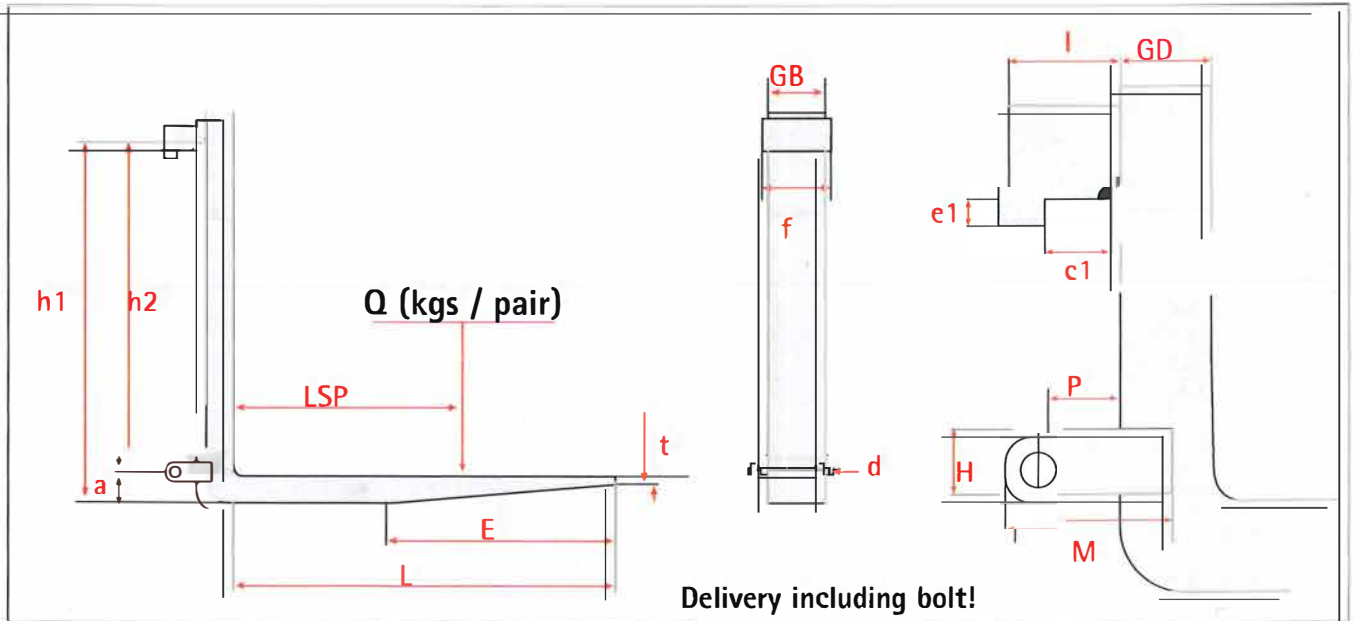


QualityForks
with TWS suspension

Order-No.: _____
 Enquiry-No.: _____
 Date: _____

Sender **Customer No.:** 880004566
 Company: _____
 Street: _____
 Zip / Town / Country: _____
 Phone No.: _____ Fax No.: _____
 Contact person: _____

Delivery address (if different from sender's address)
 Company: _____
 Name / dept.: _____
 Street: _____
 Zip / Town / Country: _____
 Add. Delivery note remarks: _____



"Must" Data	
Quantity:	2
Cross-section:	395 mm x 400 mm <small>Width (GB) Thickness (GD)</small>
Blade-length	(L): 2300 mm
Capacity / Pair:	40000 kg
Load Center Distance:	1200 mm
Bracket measure	(H): 100 mm (P): 115 mm (M): 240 mm
Backheight to underside of upper hook :	(H1) 1620 mm
Distance between hooks (h2):	1455 mm
Alternative: upper hook ISO suspension	ISO
Price per piece:	_____ €
Delivery date:	_____ week

"Optional" Data <small>(fill in only if deviations from the standard)</small>	
Taper length	(E): _____ mm
Tip thickness	(t): _____ mm
Drop (clearing)	(a): _____ mm
Opening of hook	(c1): 90 mm
Bolt diameter	(d): 50 mm
	(e1): 60 mm
Hook thickness	(f): 360 mm

Additional Data
 Brand of lift truck: _____
 Lift truck type: _____

Date / sign _____

